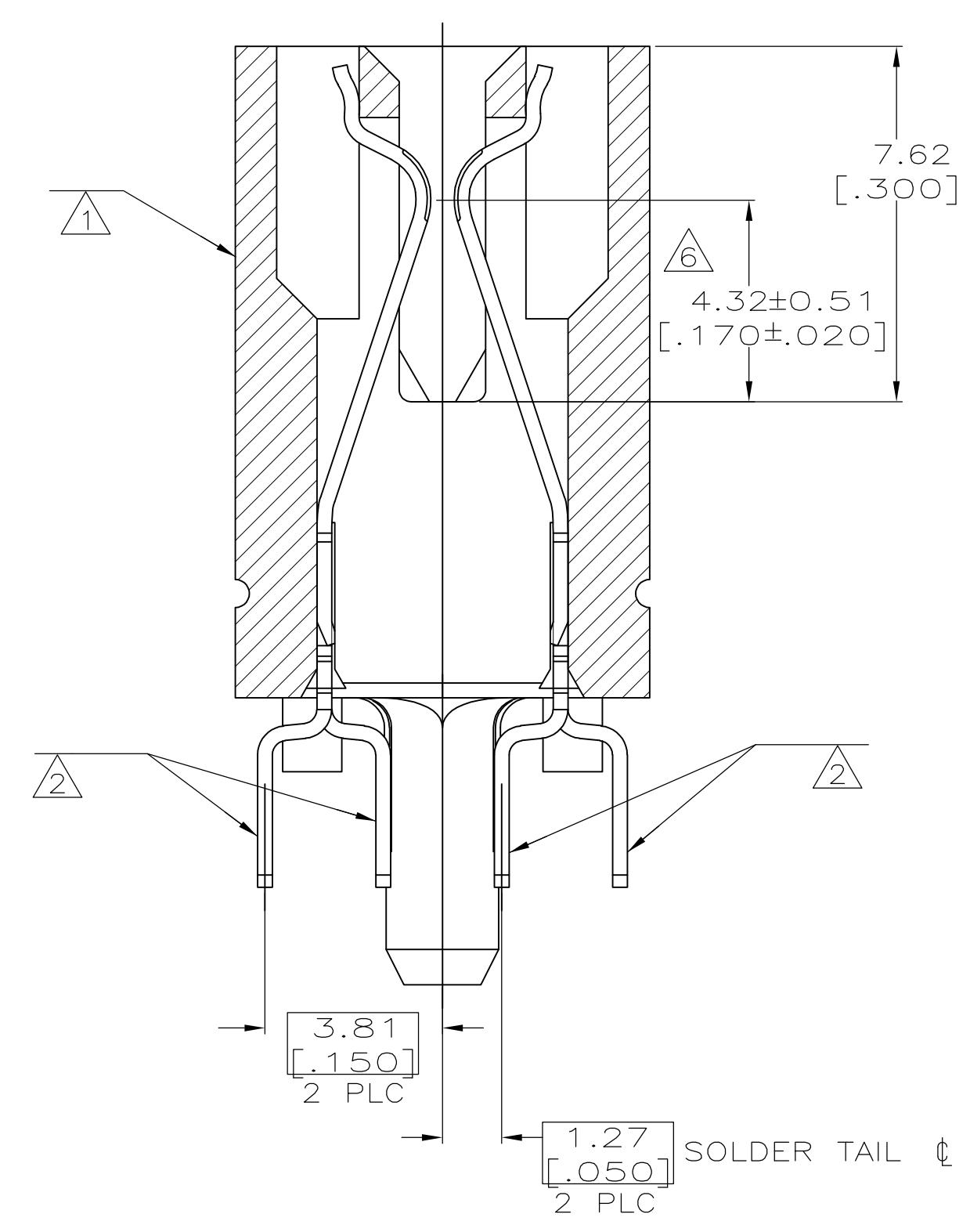


- 1 HOUSING: HIGH TEMPERATURE THERMOPLASTIC. COLOR - NATURAL
- 2 CONTACT: PHOSPHOR BRONZE.
- 3 CONTACT FINISH: .001269[.000050] MIN NICKEL ALL OVER. GOLD FLASH OVER NICKEL IN CONTACT AREA. .002537[.000100] MIN TIN OVER NICKEL ON SOLDER TAILS.
- 4 CONTACT FINISH: .001269[.000050] MIN NICKEL ALL OVER. .000375[.000015] MIN GOLD OVER NICKEL IN CONTACT AREA. .002537[.000100] MIN TIN OVER NICKEL ON SOLDER TAILS.
- 5 CONTACT FINISH: .001269[.000050] MIN NICKEL ALL OVER. .000757[.000030] MIN GOLD OVER NICKEL IN CONTACT AREA. .002537[.000100] MIN TIN OVER NICKEL ON SOLDER TAILS.
- 6 DISTANCE FROM CONTACT POINT TO BOTTOM OF CARD SLOT.
- 7 TE CONNECTIVITY PART NUMBER, DATE CODE AND CSA LOGO SHOULD BE MARKED ON THE SIDE OF THE HOUSING NEAR THE AMP LOGO.
- 8 CORED OR SOLID SIDE WALLS ARE AT DISCRETION OF TE CONNECTIVITY
- 9 PIN 44~49 AND PIN 104~109 ARE NOT LOADED.



SECTION L-L  
SCALE 8:1

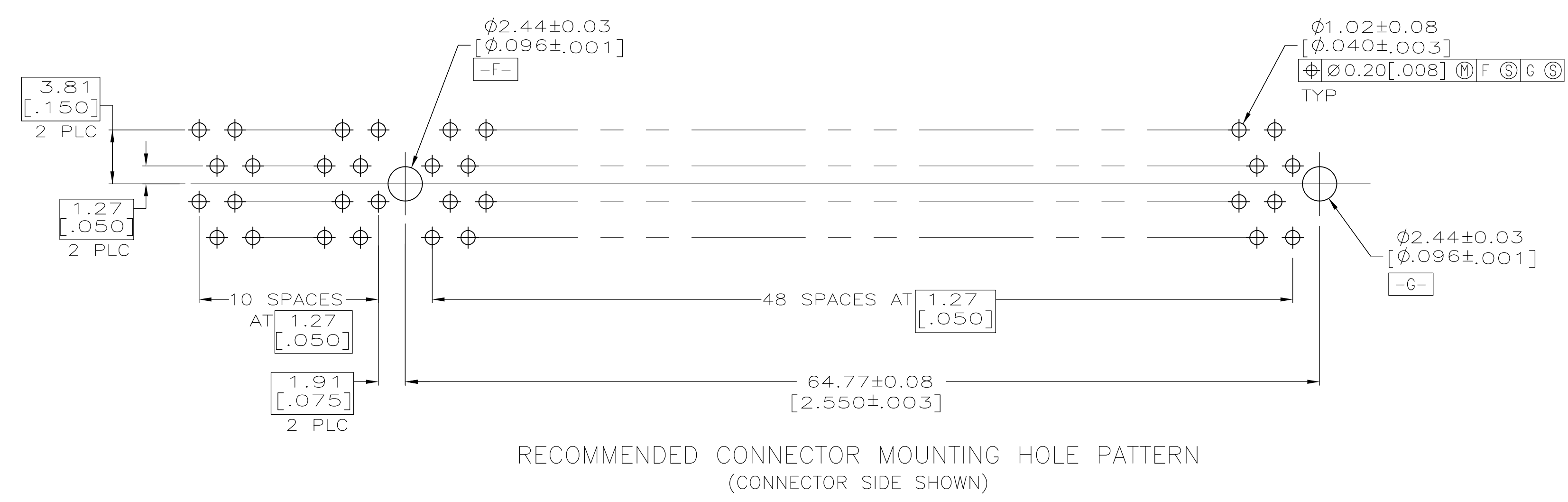
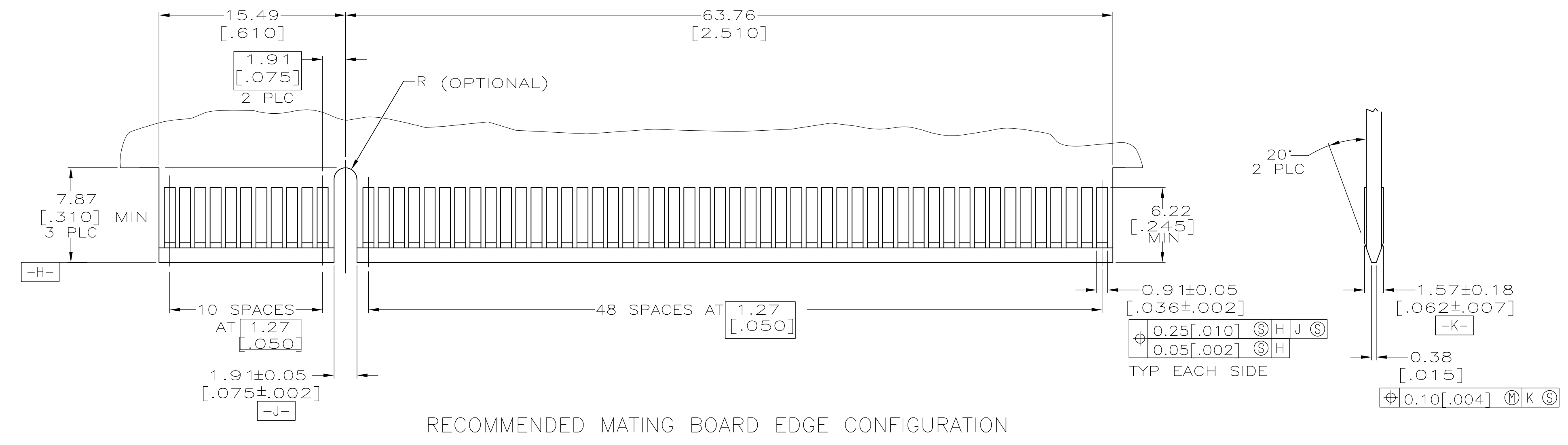
3.56 [.140]	5	1-5145154-2
3.18 [.125]	5	5145154-8
2.54 [.100]	5	5145154-4
2.54 [.100]	4	5145154-2
2.54 [.100]	3	5145154-1
W	FINISH	PART NUMBER

THIS DRAWING IS A CONTROLLED DOCUMENT.

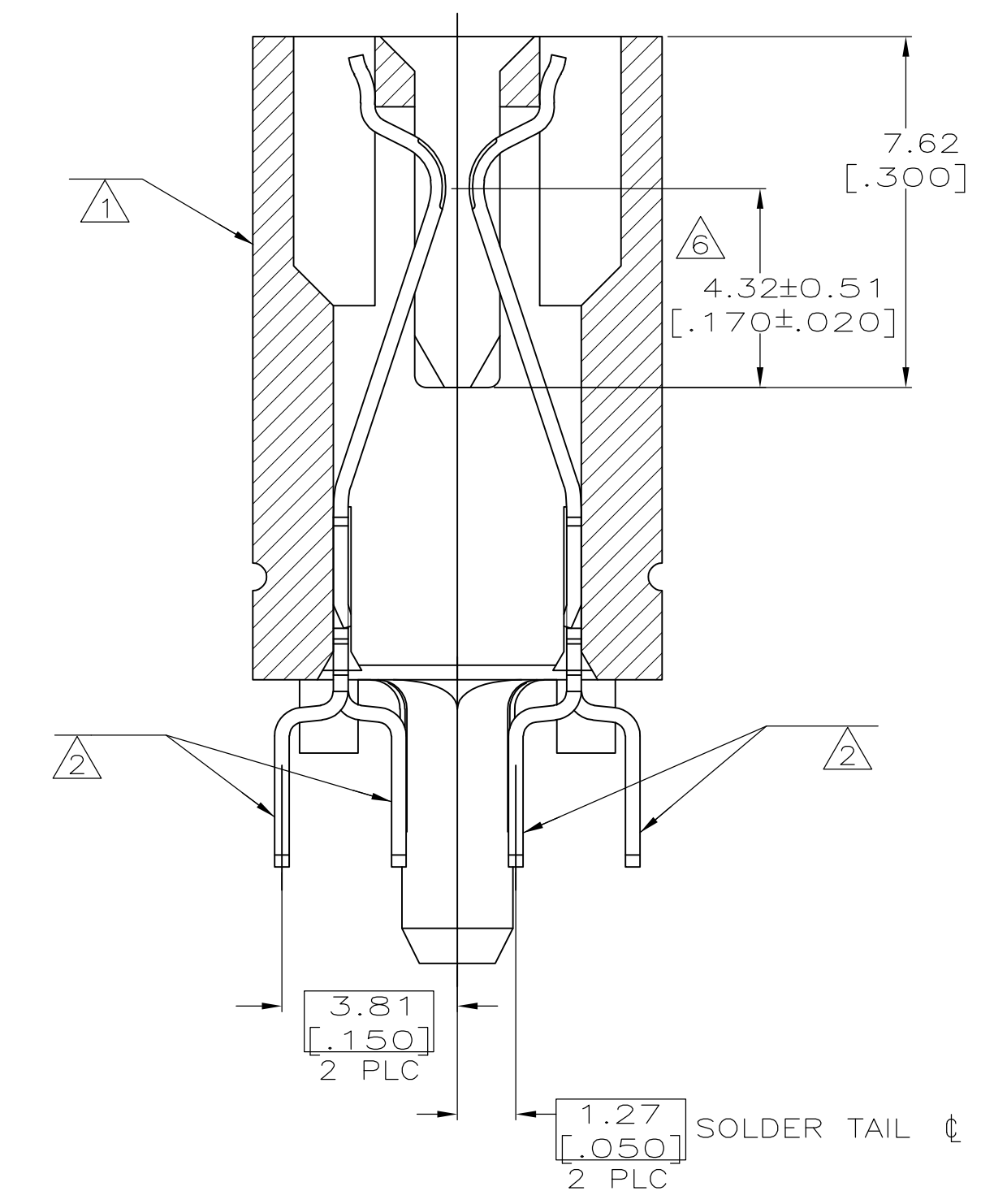
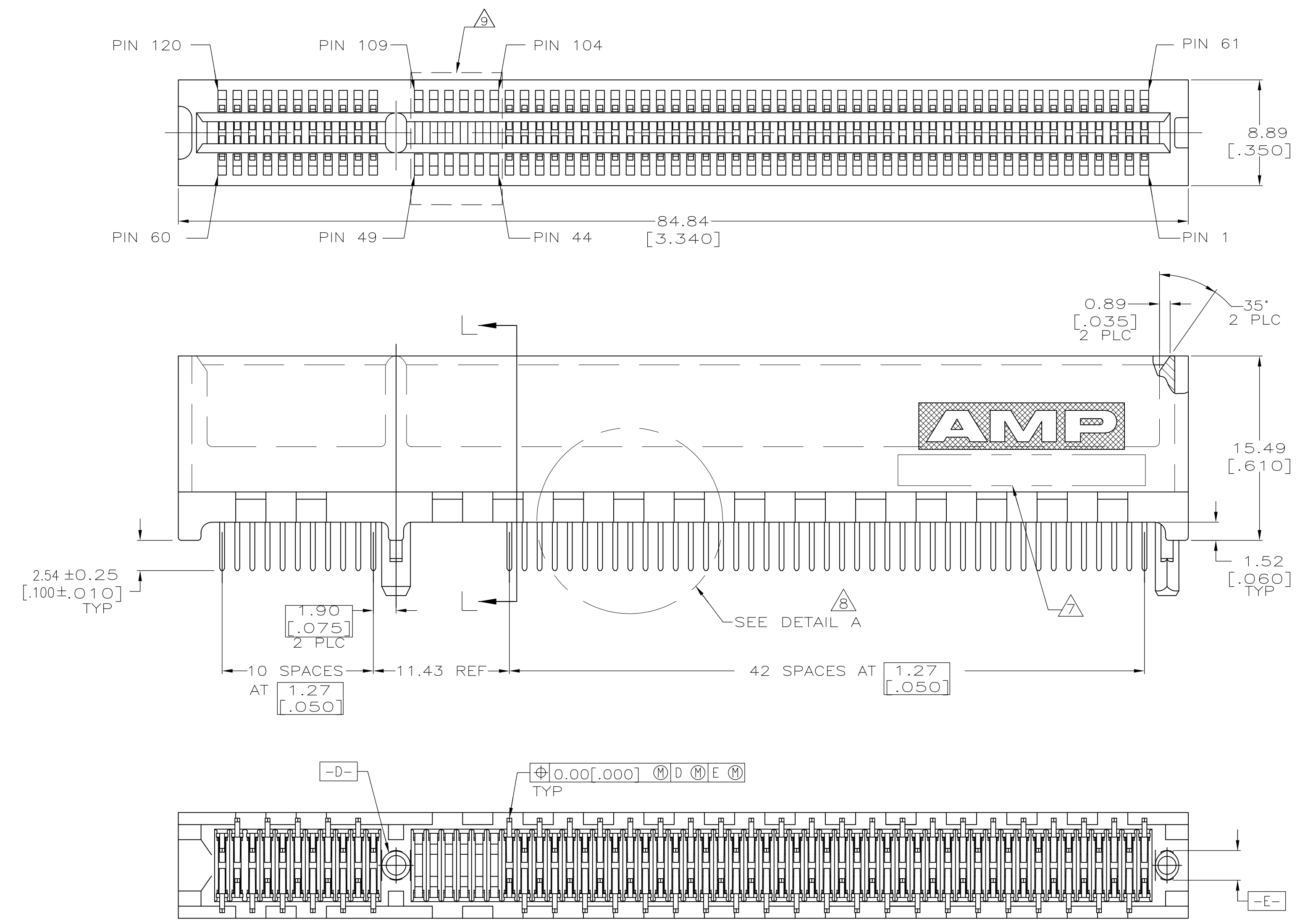
DIMENSIONS: mm [INCHES]	TOLERANCES UNLESS OTHERWISE SPECIFIED:	0 PLC ± -	1 PLC ± -	2 PLC ± .25[.01]	3 PLC ± .125 [.005]	4 PLC ± -	ANGLES ± ± °
MATERIAL		FINISH		WEIGHT		CUSTOMER DRAWING	

DMN	AL FRANTUM	20 MAY 04
CHK	AL FRANTUM	20 MAY 04
APVD		
NAME	CONNECTOR ASSEMBLY, 60 DUAL POSITION, 1.27 [.050] SERIES, CARD EDGE	
PRODUCT SPEC	108-14034	
APPLICATION SPEC	114-26012	
SIZE	CAGE CODE	DRAWING NO
A1	00779	5145154
RESTRICTED TO	SCALE	SHEET
	4:1	1 OF 4

STE TE Connectivity

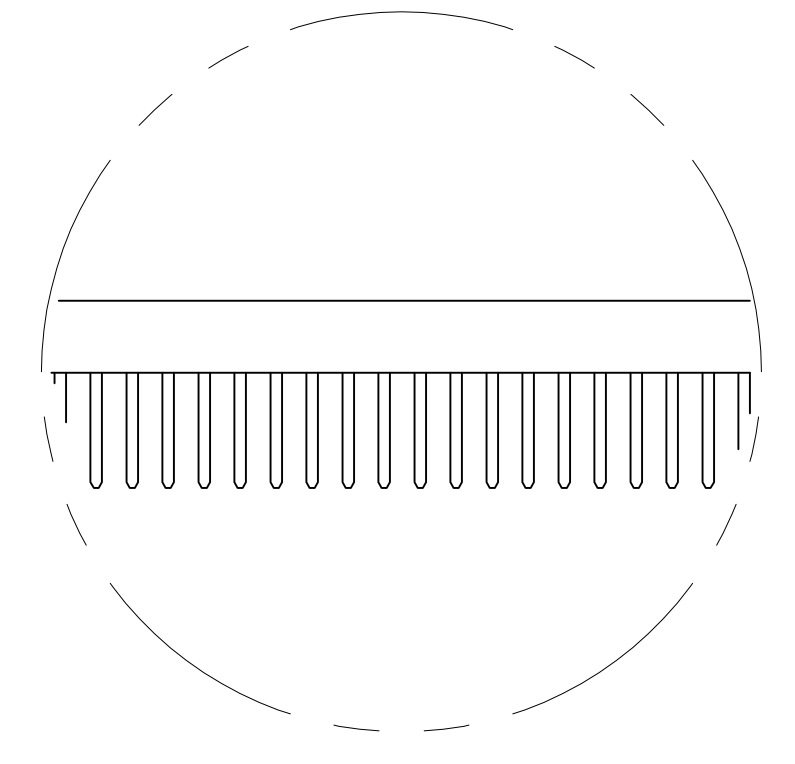


THIS DRAWING IS A CONTROLLED DOCUMENT.		DWN AL FRANTUM 20 MAY 04 CHK AL FRANTUM 20 MAY 04 APVD -	TE Connectivity
DIMENSIONS: mm [INCHES]	TOLERANCES UNLESS OTHERWISE SPECIFIED: 0 PLC ± - 1 PLC ± - 2 PLC ± .25 [.01] 3 PLC ± .125 [.005] 4 PLC ± - ± ° ANGLES ± - ± °	PRODUCT SPEC 108-14034 APPLICATION SPEC 114-26012	NAME CONNECTOR ASSEMBLY, 60 DUAL POSITION, 1.27 [.050] SERIES, CARD EDGE
MATERIAL -	FINISH -	SIZE A1 CAGE CODE 00779 DRAWING NO. 5145154	RESTRICTED TO - SCALE 4:1 SHEET 2 OF 4 REV E
CUSTOMER DRAWING			



SECTION L-L  
SCALE 8:1

SEE SHEET 4 FOR HOLE PATTERN

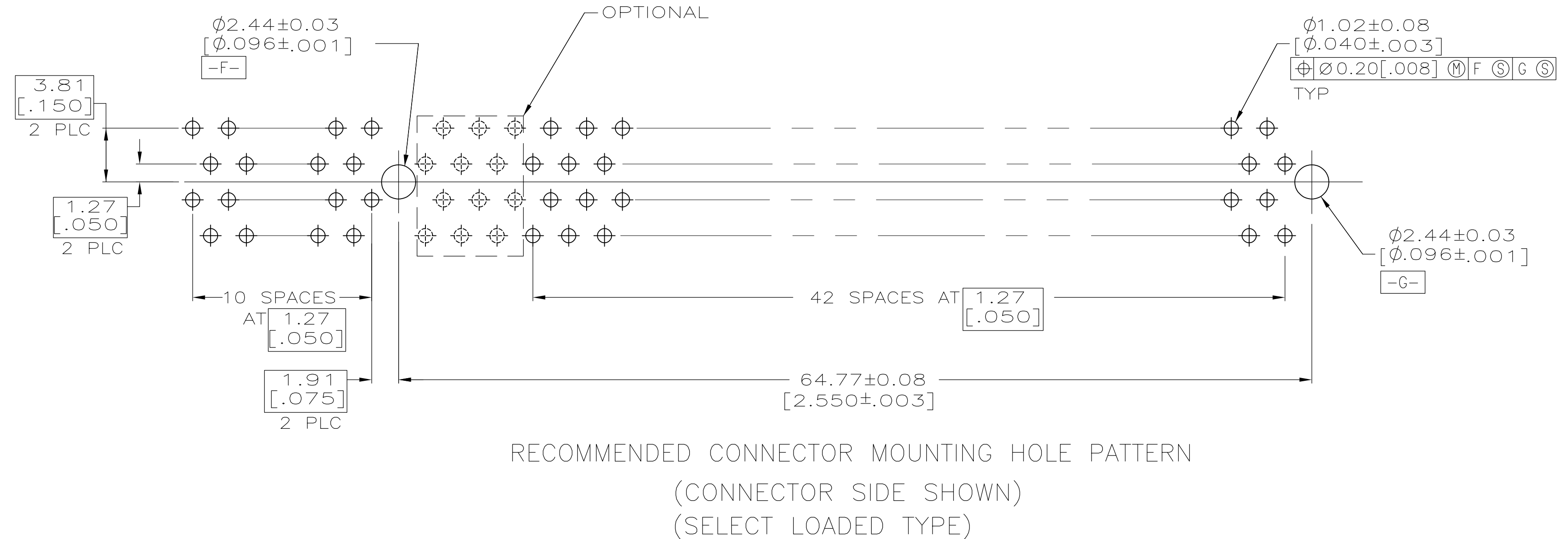
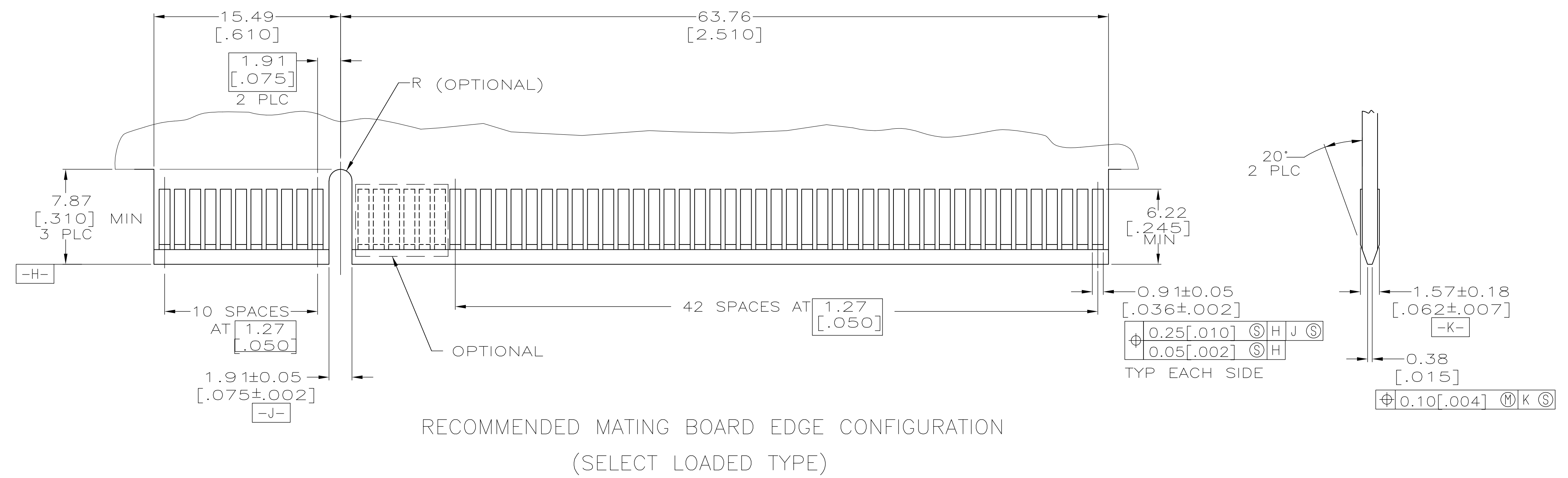


DETAIL A

SELECT LOADED TYPE AS SHOWN.

	2-5145154-1
FINISH	PART NUMBER

THIS DRAWING IS A CONTROLLED DOCUMENT.		DWN: AL FRANTUM 20 MAY 04	TE Connectivity	
DIMENSIONS: mm [INCHES]		CHK: AL FRANTUM 20 MAY 04	CONNECTOR ASSEMBLY, 60 DUAL POSITION, 1.27 [.050] SERIES, CARD EDGE	
TOLERANCES UNLESS OTHERWISE SPECIFIED:		APVD: -	PRODUCT SPEC: 108-14034	
0 PLC ± -		NAME: -	APPLICATION SPEC: 114-26012	
1 PLC ± -		SIZE: A1	CAGE CODE: 00779	DRAWING NO: 5145154
2 PLC ± .25 [.010]		RESTRICTED TO: -	SCALE: 4:1	
3 PLC ± .125 [.005]		SHEET 3 OF 4		
4 PLC ± -		REV E		
ANGLES ± 2'		CUSTOMER DRAWING		



THIS DRAWING IS A CONTROLLED DOCUMENT.		DN AL FRANTUM 20 MAY 04	TE Connectivity
		CHK AL FRANTUM 20 MAY 04	
DIMENSIONS:	TOLERANCES UNLESS OTHERWISE SPECIFIED:	APVD -	NAME
mm [INCHES]	0 PLC ± -	PRODUCT SPEC	CONNECTOR ASSEMBLY,
	1 PLC ± -	108-14034	60 DUAL POSITION,
	2 PLC ± .25 [0.1]	APPLICATION SPEC	1.27 [.050] SERIES, CARD EDGE
	3 PLC ± .125 [.005]	114-26012	SIZE
	4 PLC ± -	WEIGHT	SCALE
	ANGLES ± ± °	FINISH	4:1
MATERIAL		CUSTOMER DRAWING	SHEET 4 OF 4
		00779 5145154	REV E